

Installation Note

Configurable Test Set Upgrade Kit

Upgrade Kit Number: N5230-60102

For N5230A Standard Test Set, 6 GHz and 13.5 GHz, 2-Port PNA-L

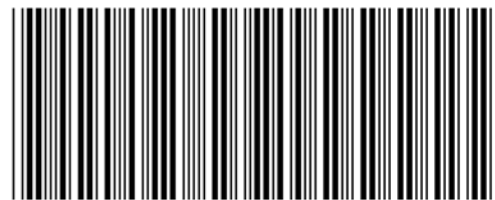


Agilent Technologies

Agilent Part Number: N5230-90004

Printed in USA July 2007

Supersedes: July 2006



© *ℓ*

N5230-90004

WARRANTY STATEMENT

THE MATERIAL CONTAINED IN THIS DOCUMENT IS PROVIDED “AS IS,” AND IS SUBJECT TO BEING CHANGED, WITHOUT NOTICE, IN FUTURE EDITIONS. FURTHER, TO THE MAXIMUM EXTENT PERMITTED BY APPLICABLE LAW, AGILENT DISCLAIMS ALL WARRANTIES, EITHER EXPRESS OR IMPLIED WITH REGARD TO THIS MANUAL AND ANY INFORMATION CONTAINED HEREIN, INCLUDING BUT NOT LIMITED TO THE IMPLIED WARRANTIES OF MERCHANTABILITY AND FITNESS FOR A PARTICULAR PURPOSE. AGILENT SHALL NOT BE LIABLE FOR ERRORS OR FOR INCIDENTAL OR CONSEQUENTIAL DAMAGES IN CONNECTION WITH THE FURNISHING, USE, OR PERFORMANCE OF THIS DOCUMENT OR ANY INFORMATION CONTAINED HEREIN. SHOULD AGILENT AND THE USER HAVE A SEPARATE WRITTEN AGREEMENT WITH WARRANTY TERMS COVERING THE MATERIAL IN THIS DOCUMENT THAT CONFLICT WITH THESE TERMS, THE WARRANTY TERMS IN THE SEPARATE AGREEMENT WILL CONTROL.

DFARS/Restricted Rights Notice

If software is for use in the performance of a U.S. Government prime contract or subcontract, Software is delivered and licensed as “Commercial computer software” as defined in DFAR 252.227-7014 (June 1995), or as a “commercial item” as defined in FAR 2.101(a) or as “Restricted computer software” as defined in FAR 52.227-19 (June 1987) or any equivalent agency regulation or contract clause. Use, duplication or disclosure of Software is subject to Agilent Technologies’ standard commercial license terms, and non-DOD Departments and Agencies of the U.S. Government will receive no greater than Restricted Rights as defined in FAR 52.227-19(c)(1-2) (June 1987). U.S. Government users will receive no greater than Limited Rights as defined in FAR 52.227-14 (June 1987) or DFAR 252.227-7015 (b)(2) (November 1995), as applicable in any technical data.

Safety Notes

The following safety notes are used throughout this document. Familiarize yourself with each of these notes and its meaning before performing any of the procedures in this document.

WARNING	Warning denotes a hazard. It calls attention to a procedure which, if not correctly performed or adhered to, could result in injury or loss of life. Do not proceed beyond a warning note until the indicated conditions are fully understood and met.
----------------	---

CAUTION	Caution denotes a hazard. It calls attention to a procedure that, if not correctly performed or adhered to, could result in damage to or destruction of the instrument. Do not proceed beyond a caution sign until the indicated conditions are fully understood and met.
----------------	---

Contacting Agilent

Assistance with test and measurement needs and information on finding a local Agilent office are available on the Web at:

<http://www.agilent.com/find/assist>

If you do not have access to the Internet, please contact your Agilent field engineer.

NOTE In any correspondence or telephone conversation, refer to the Agilent product by its model number and full serial number. With this information, the Agilent representative can determine whether your product is still within its warranty period.

Description of the Upgrade

This upgrade converts your standard test set analyzer to a configurable test set analyzer by adding Option 014, Configurable Test Set and Option 1E1, Source Attenuators.

Option 014, Configurable Test Set adds the additional cabling necessary to allow your analyzer to perform measurements on high power devices and on devices with high dynamic range.

Option 1E1, Source Attenuators adds a 60-dB step attenuator in the signal path of each of the measurement ports. These attenuators are used to adjust the power level (in 10 dB steps) to the device under test (DUT) without changing the power in the reference path.

About Installing the Upgrade

Products affected.	N5230A; standard test set, 6 GHz, 2-port N5230A; standard test set, 13.5 GHz, 2-port
Installation to be performed by	Agilent service center or personnel qualified by Agilent
Estimated installation time	2.0 hours
Estimated adjustment time	0.5 hours
Estimated full instrument calibration time	4.5 hours

Items Included in the Upgrade Kit

Check the contents of your kit against the following list. If any part is missing or damaged, contact Agilent Technologies. Refer to [“Contacting Agilent” on page 3](#).

Table 1 Contents of Upgrade Kit N5230-60102

Ref Desig.	Description	Qty	Part Number
	Installation note (this document)	1	N5230-90004
A25, A26	0–60 dB step attenuator	2	33321-60065
	Machine screw, M3 x 10, pan head (to attach attenuators)	4	0515-0374
	Ribbon cable, A25 step attenuator to A16 test set motherboard P510	1	8121-0819
	Ribbon cable, A26 step attenuator to A16 test set motherboard P512	1	8120-5537
	Cable tie (to secure cables W47 and W51 to the side frame)	6	1400-0249
	Lower front panel overlay (for configurable test set)	1	N5240-80002
W40	RF cable, A19 SSLAM to A25 port 1 step attenuator	1	N5240-20023
W41	RF cable, A19 SSLAM to A26 port 2 step attenuator	1	N5240-20024
W42	RF cable, A25 port 1 step attenuator to PORT 1 SOURCE OUT	1	N5240-20021
W43	RF cable, A26 port 2 step attenuator to PORT 2 SOURCE OUT	1	N5240-20022
W44	RF cable, PORT 1 CPLR THRU to A21 test port 1 coupler	2	N5240-20013
W45	RF cable, PORT 2 CPLR THRU to A22 test port 2 coupler		
W46	RF cable, A19 SSLAM (R1) to REFERENCE 1 SOURCE OUT	1	N5240-20034
W47	RF cable, A19 SSLAM (R2) to REFERENCE 2 SOURCE OUT	1	N5240-20036
W48	RF cable, A21 test port 1 coupler to PORT 1 CPLR ARM	1	N5240-20011
W49	RF cable, A22 test port 2 coupler to PORT 2 CPLR ARM	1	N5240-20012
W50	RF cable, PORT 1 RCVR A IN to A20 mixer brick (A)	1	N5240-20009
W51	RF cable, REFERENCE 1 RCVR R1 IN to A20 mixer brick (R1)	1	N5240-20017
W52	RF cable, REFERENCE 2 RCVR R2 IN to A20 mixer brick (R2)	1	N5240-20018
W53	RF cable, PORT 2 RCVR B IN to A20 mixer brick (B)	1	N5240-20010
W60	Front-panel jumper	6	08720-20098

Installation Procedure for the Upgrade

The network analyzer must be in proper working condition prior to installing this option. Any necessary repairs must be made before proceeding with this installation.

WARNING **This installation requires the removal of the analyzer's protective outer covers. The analyzer must be powered down and disconnected from the mains supply before performing this procedure.**

Electrostatic Discharge Protection

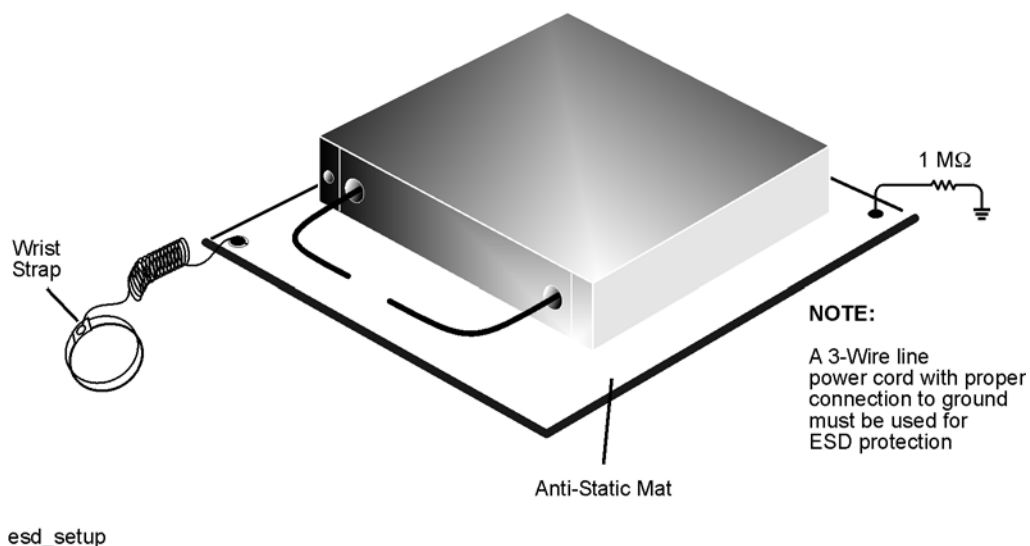
Protection against electrostatic discharge (ESD) is essential while removing or connecting cables or assemblies within the network analyzer.

Static electricity can build up on your body and can easily damage sensitive internal circuit elements when discharged. Static discharges too small to be felt can cause permanent damage. To prevent damage to the instrument:

- *always* have a grounded, conductive table mat in front of your test equipment.
- *always* wear a grounded wrist strap, connected to a grounded conductive table mat, having a 1 M Ω resistor in series with it, when handling components and assemblies or when making connections.
- *always* wear a heel strap when working in an area with a conductive floor. If you are uncertain about the conductivity of your floor, wear a heel strap.
- *always* ground yourself before you clean, inspect, or make a connection to a static-sensitive device or test port. You can, for example, grasp the grounded outer shell of the test port or cable connector briefly.

Figure 1 shows a typical ESD protection setup using a grounded mat and wrist strap. Refer to “Tools and Equipment Required for the Installation” on page 6 for part numbers.

Figure 1 **ESD Protection Setup**



Overview of the Installation Procedure

Step 1. Remove the Outer Cover.

Step 2. Remove the Front Panel Assembly.

Step 3. Remove the Existing Cables.

Step 4. Install the Step Attenuators.

Step 5. Install the New Cables.

Step 6. Replace the Lower Front Panel Overlay.

Step 7. Reinstall the Front Panel Assembly and Install the Front Panel Jumpers.

Step 8. Reinstall the Outer Cover.

Step 9. Enable Options 014 and 1E1.

Step 10. Perform Post-Upgrade Adjustments and Calibration.

Tools and Equipment Required for the Installation

Description	Qty	Part Number
T-10 TORX driver (set to 9 in-lbs)	1	N/A
T-20 TORX driver (set to 21 in-lbs)	1	N/A
5/16-in torque wrench (set to 10 in-lbs)	1	N/A
5/16-in torque wrench (set to 21 in-lbs)	1	N/A
ESD grounding wrist strap	1	9300-1367
5-ft grounding cord for wrist strap	1	9300-0980
2 x 4 ft conductive table mat and 15-ft grounding wire	1	9300-0797
ESD heel strap (for use with conductive floors)	1	9300-1308

CAUTION Use a 5/16-in torque wrench set to 10 in-lbs on all cable connections except the front-panel cable connectors. Use a 5/16-in torque wrench set to 21 in-lbs for these connections.

Equipment Required for Post-Upgrade Adjustments

Equipment Type	Model or Part Number	Alternate Model or Part Number
Power meter	E4418B/E4419B	E4418A/E4419A
Power sensor, 3.5 mm	E4413A	8485A
Adapter, 3.5 mm (f) to 3.5 mm (f)	83059B	85052-60012
RF cable, 3.5 mm (f) to 3.5 mm (f)	85131C	85131E

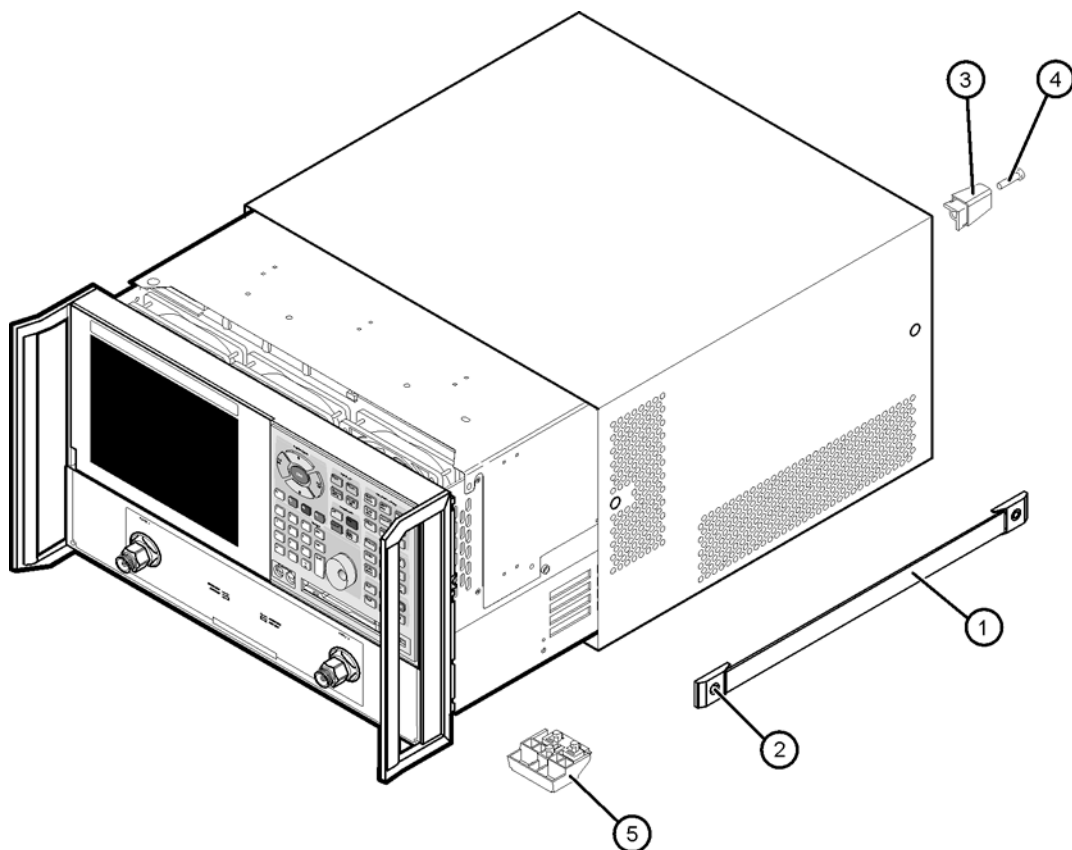
Step 1. Remove the Outer Cover

CAUTION This procedure is best performed with the analyzer resting on its front handles in the vertical position. *Do not place the analyzer on its front panel without the handles.* This will damage the front panel assemblies.

Refer to [Figure 2](#) for this procedure.

1. Disconnect the power cord (if it has not already been disconnected).
2. With a T-20 TORX driver, remove the strap handles (item ①) by loosening the screws (item ②) on both ends until the handle is free of the analyzer.
3. With a T-20 TORX driver, remove the four rear panel feet (item ③) by removing the center screws (item ④).
4. Slide the four bottom feet (item ⑤) off the cover.
5. Slide the cover off of the frame.

Figure 2 Outer Cover Removal



dt501a

Step 2. Remove the Front Panel Assembly

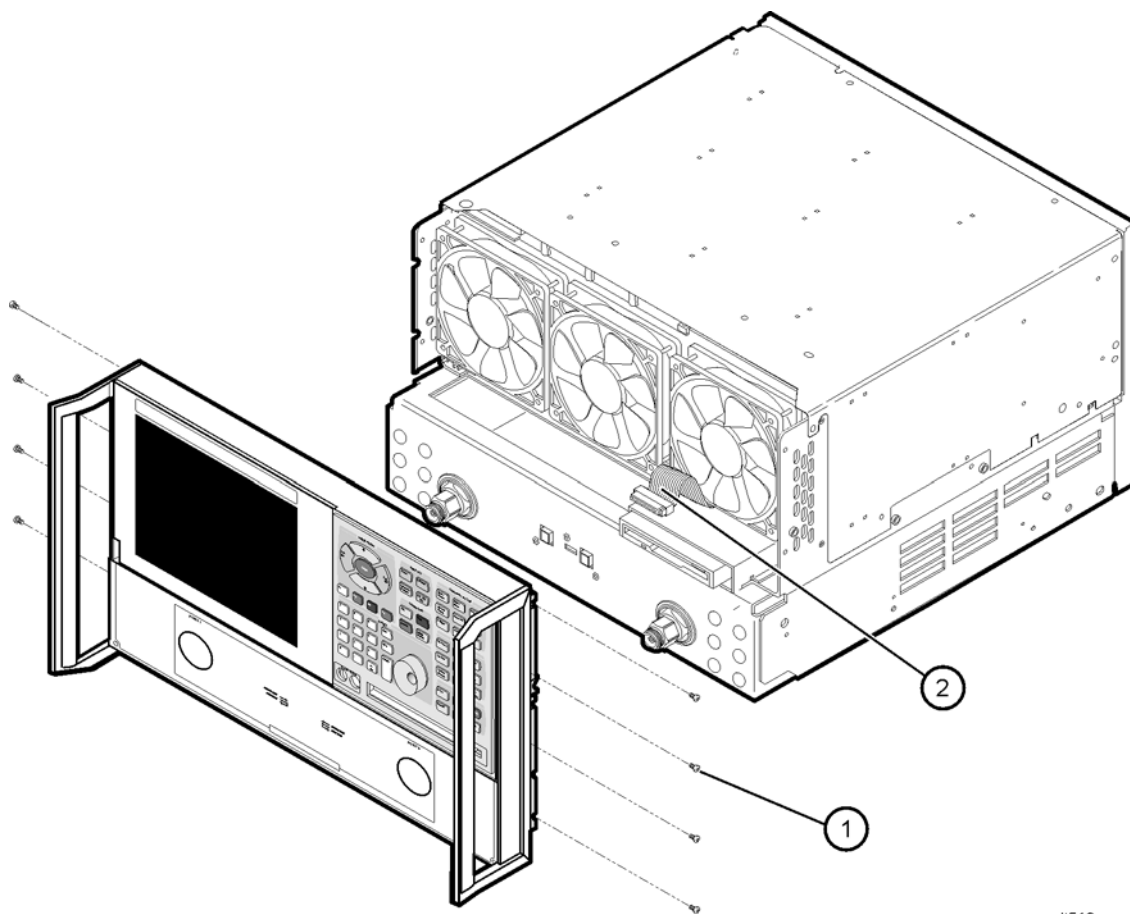
Refer to [Figure 3](#) for this procedure.

1. With a T-10 TORX driver, remove the eight screws (item ①) from the sides of the frame.

CAUTION Before removing the front panel from the analyzer, lift and support the front of the analyzer chassis.

2. Slide the front panel over the test port connectors.
3. Disconnect the front panel interface ribbon cable (item ②). The front panel is now free from the analyzer.

Figure 3 Front Panel Assembly Removal



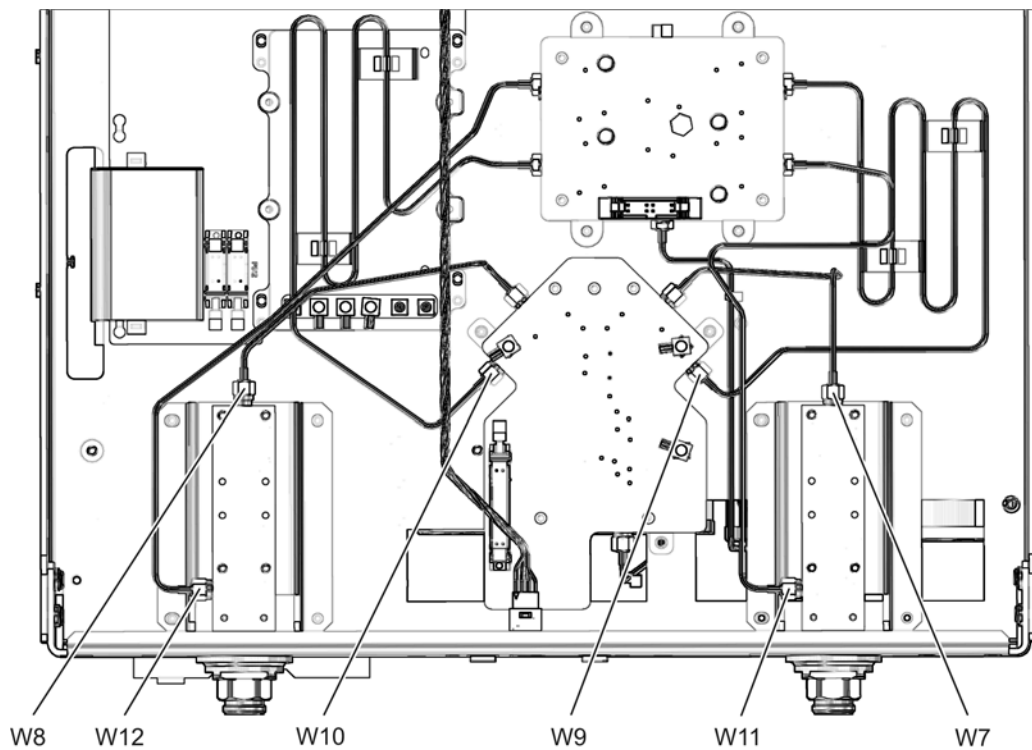
dt513a

Step 3. Remove the Existing Cables

Refer to [Figure 4](#) for this procedure.

1. Place the analyzer bottom-side up on a flat surface.
2. Remove the following cables in the order listed:
 - W7 A19 SSLAM to A21 test port 1 coupler
 - W9 A19 SSLAM (R1) to A20 mixer brick (R1)
 - W11 A21 test port 1 coupler to A20 mixer brick (A)
 - W8 A19 SSLAM to A22 test port 2 coupler
 - W10 A19 SSLAM (R2) to A20 mixer brick (R2)
 - W12 A22 test port 2 coupler to A20 mixer brick (B)

Figure 4 Old Cable Removal



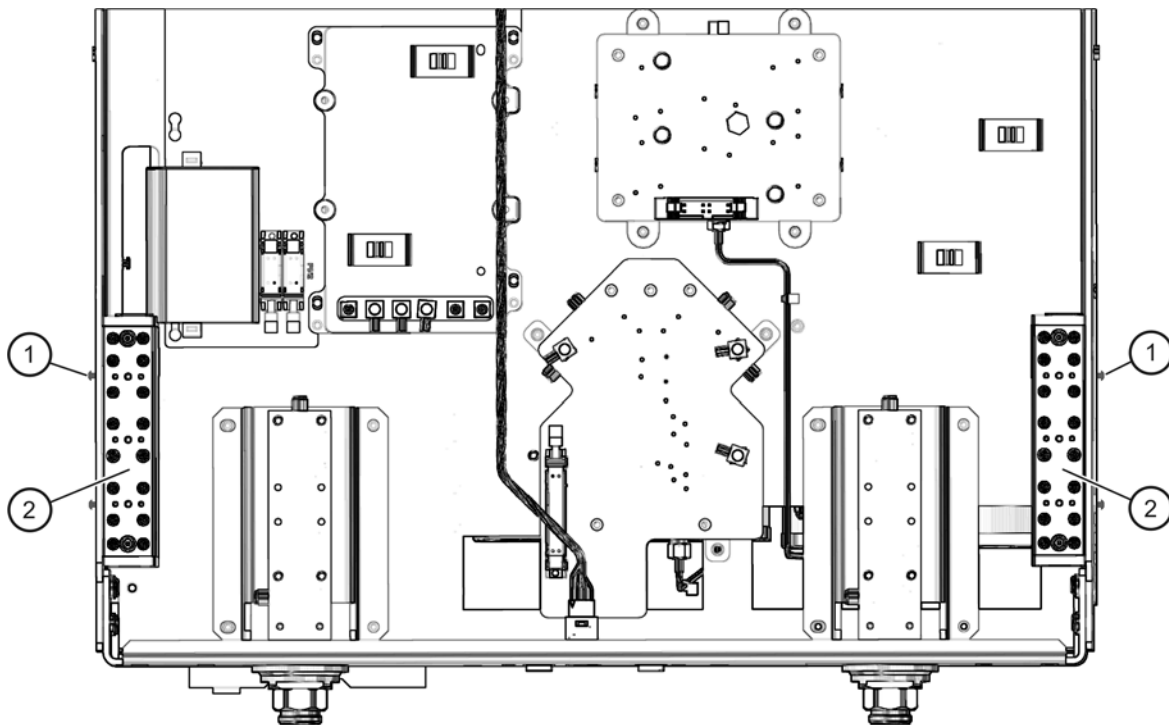
n5230_004_01

Step 4. Install the Step Attenuators

Refer to [Figure 5](#) for this procedure. New parts are listed in [Table 1 on page 4](#).

1. Loosely install two screws (item ①) in the side of each attenuator (item ②). Insert each screw only a few threads into the attenuator.
2. Position the attenuators in the analyzer as shown by aligning the heads of the screws with the slotted holes in the side frame. Make sure the attenuators are positioned so that the ribbon cable connectors are towards the rear of the analyzer.
3. Slide the screws into the slots and tighten the screws to secure the attenuators.

Figure 5 Step Attenuator Installation



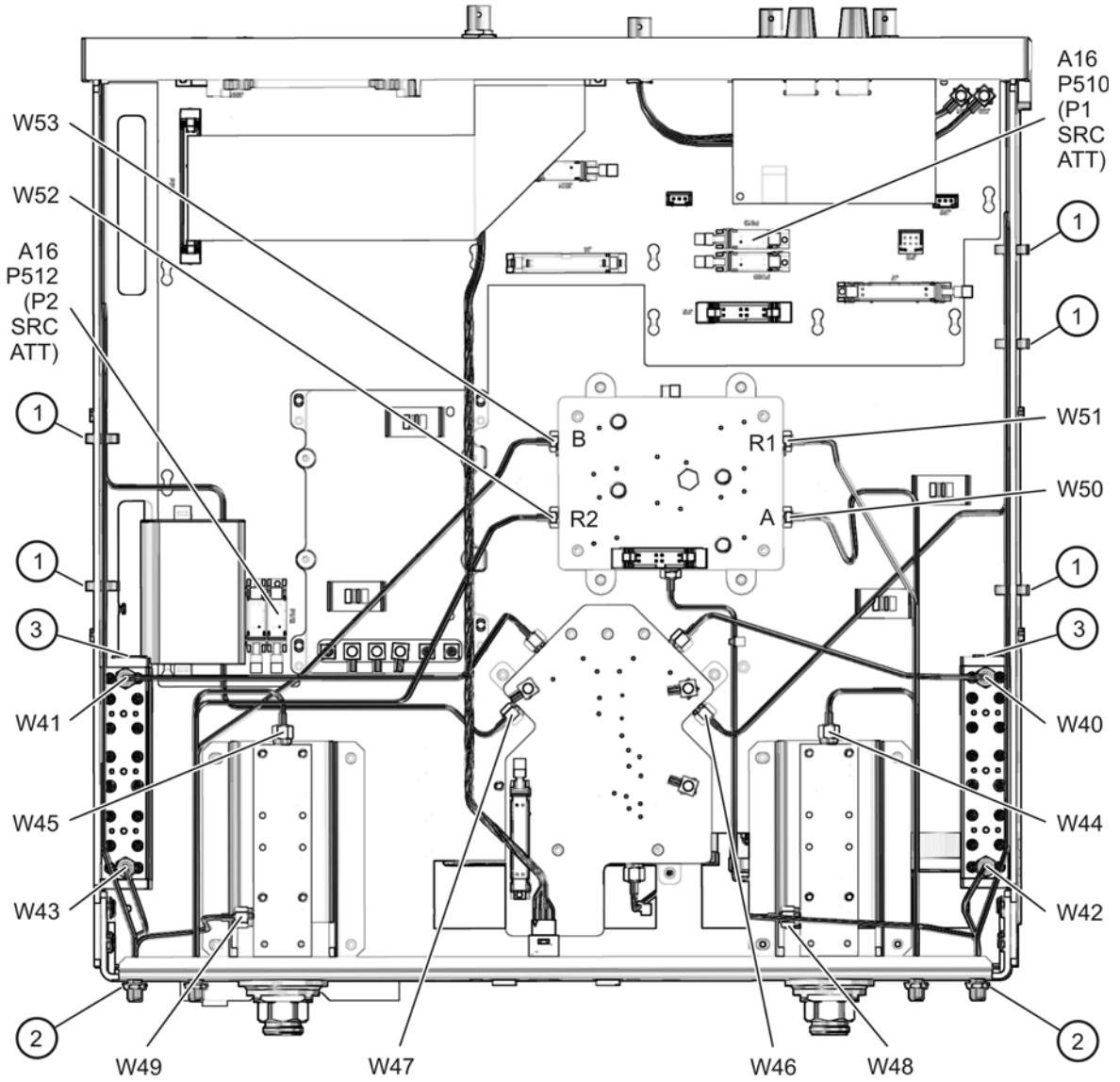
n5230_004_02

Step 5. Install the New Cables

Refer to [Figure 6](#) for the following procedure. New parts are listed in [Table 1 on page 4](#).

1. Install the following cables in the order listed. Use a 5/16-in torque wrench set to 10 in-lbs.
 - W47 A19 SSLAM (R2) to REFERENCE 2 SOURCE OUT
 - W49 A22 test port 2 coupler to PORT 2 CPLR ARM
 - W53 PORT 2 RCVR B IN to A20 mixer brick (B)
 - W43 A26 port 2 step attenuator to PORT 2 SOURCE OUT
 - W44 PORT 1 CPLR THRU to A21 test port 1 coupler
 - W41 A19 SSLAM to A26 port 2 step attenuator
 - W52 REFERENCE 2 RCVR R2 IN to A20 mixer brick (R2)
 - W46 A19 SSLAM (R1) to REFERENCE 1 SOURCE OUT
 - W50 PORT 1 RCVR A IN to A20 mixer brick (A)
 - W48 A21 test port 1 coupler to PORT 1 CPLR ARM
 - W42 A25 port 1 step attenuator to PORT 1 SOURCE OUT
 - W45 PORT 2 CPLR THRU to A22 test port 2 coupler
 - W40 A19 SSLAM to A25 port 1 step attenuator
 - W51 REFERENCE 1 RCVR R1 IN to A20 mixer brick (R1)
2. Secure cables W46 and W47 to the analyzer side frame using cable ties (item ①) in the locations shown.
3. Using a 5/16-in torque wrench set to 21 in-lbs, tighten the hex nuts (item ②) on all 12 front panel cable connectors. It is very important that these hex nuts be tightened to 21 in-lbs.
4. Connect a ribbon cable to each of the step attenuator connectors (item ③):
 - a. The longer cable, 8121-0819, connects between the A25 step attenuator and A16P510 (P1 SRC ATT).
 - b. The shorter cable, 8120-5537, connects between the A26 step attenuator and A16P512 (P2 SRC ATT).

Figure 6 New Cable Installation



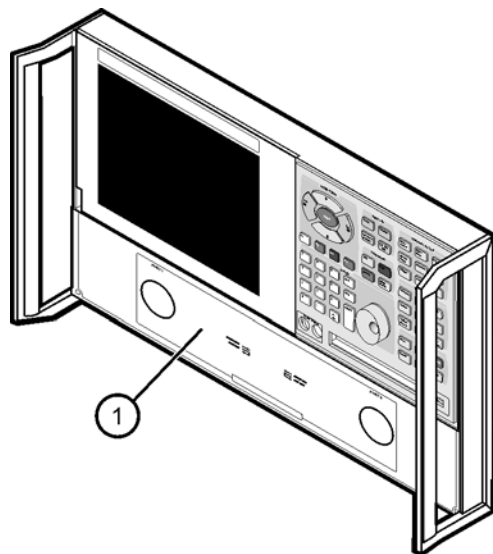
n5230_004_03

Step 6. Replace the Lower Front Panel Overlay

Refer to [Figure 7](#) for this procedure. New parts are listed in [Table 1 on page 4](#).

1. From the back side of the front panel, use a blunt object in one of the cutouts in the lower frame to push the overlay (item ①) and separate it from the front panel.
2. From the front side of the front panel, pull off the overlay completely and discard it.
3. Remove any adhesive remaining on the front panel.
4. Remove the protective backing from the new front panel overlay (item ①).
5. Starting from either the left or right side, *loosely* place the overlay in the recess on the lower front panel, ensuring that it fits tightly against the edges of the recess.
6. Once the overlay is in place, press it firmly onto the frame to secure it.

Figure 7 Lower Front Panel Overlay Replacement



dt519a

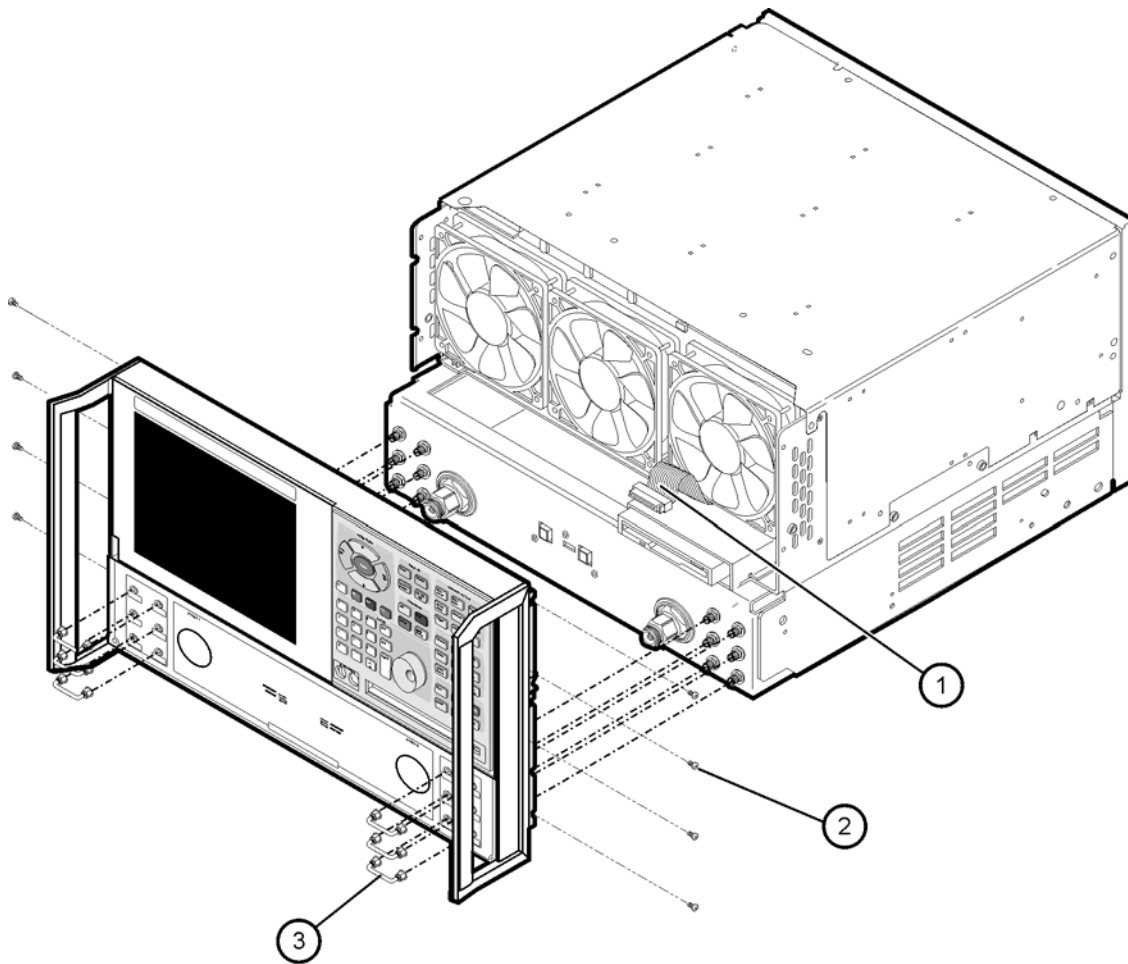
Step 7. Reinstall the Front Panel Assembly and Install the Front Panel Jumpers

CAUTION Before installing the front panel assembly onto the analyzer, lift and support the front of the analyzer chassis.

Refer to [Figure 8](#) for this procedure. New parts are listed in [Table 1 on page 4](#).

1. Make sure all 12 of the hex nuts on the front-panel cable connectors have been tightened using a 5/16-in torque wrench set to 21-in lbs.
2. Reconnect the ribbon cable (item ①) to the A3 front panel interface board.
3. Slide the front panel over the test port connectors being careful to align the power switch and floppy disk drive to their corresponding front panel cutouts. Ensure that the ribbon cable (item ①) is located below the fan to prevent it from being damaged by the fan blades.
4. With a T-10 TORX driver, install the eight screws (item ②) in the sides of the frame.
5. Install the six semirigid jumpers (item ③) on the front panel, and tighten to 10-in lbs.

Figure 8 Front Panel Assembly Reinstallation



d511a

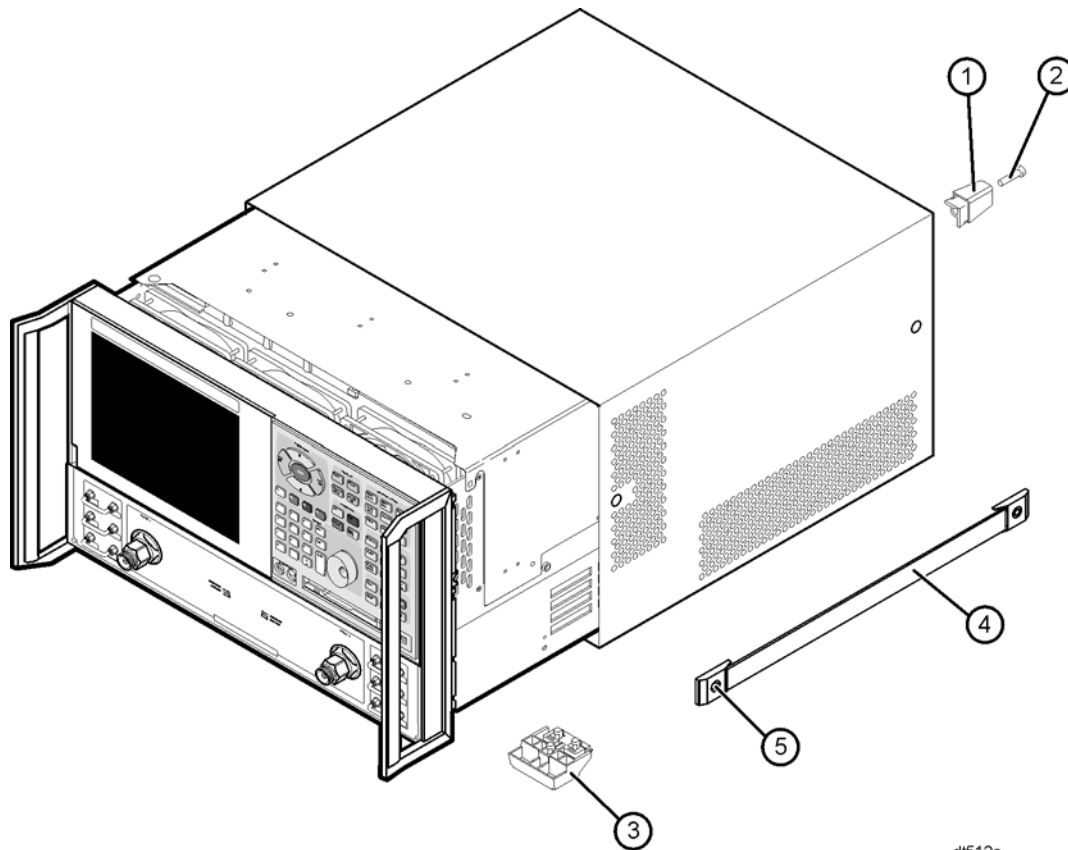
Step 8. Reinstall the Outer Cover

CAUTION This procedure is best performed with the analyzer resting on its front handles in the vertical position. *Do not place the analyzer on its front panel without the handles.* This will damage the front panel assemblies.

Refer to [Figure 9](#) for this procedure.

1. Slide the cover over the analyzer frame.
2. With a T-20 TORX driver, install the four rear panel feet (item ①) by installing the center screws (item ②).
3. Slide the four bottom feet (item ③) into position on the cover.
4. With a T-20 TORX driver, install the strap handles (item ④) by installing the screws (item ⑤) on both ends of the handles.

Figure 9 Outer Cover Reinstallation



Step 9. Enable Options 014 and 1E1

Procedure Requirements

- The analyzer must be powered up and operating to perform this procedure.
- The Network Analyzer program must be running.
- A mouse must be connected to the analyzer for this procedure.

Option Enable Procedure

1. On the analyzer's **System** menu, point to **Service**, and then click **Option Enable**.
2. In the **Select Desired Option** list, click **014 - Configurable Test Set**. Click **Enable**.
3. In the **Select Desired Option** list, click **1E1 - Source Attenuators**. Click **Enable**.
4. Click **Yes** in answer to the displayed question in the **Restart Analyzer?** box.
5. When the installation is complete, click **Exit**.

Option Verification Procedure

Once the analyzer has restarted and the Network Analyzer program is again running:

1. On the analyzer's **Help** menu, click **About Network Analyzer**.
2. Verify that "014" and "1E1" are listed after "Options:" in the display. Click **OK**.

NOTE If Options 014 and 1E1 have not been enabled, perform the ["Option Enable Procedure"](#) again. If the options are still not enabled, contact Agilent Technologies. Refer to ["Contacting Agilent" on page 3](#).

Step 10. Perform Post-Upgrade Adjustments and Calibration

Adjustments

The following adjustments must be made due to the hardware changes of the analyzer.

- source calibration
- receiver calibration

These adjustments are described in the PNA service guide and in the PNA on-line HELP. A list of equipment required to perform these adjustments can be found at [“Equipment Required for Post-Upgrade Adjustments” on page 6](#).

Calibration

The analyzer should now operate and phase lock over its entire frequency range.

If you experience difficulty with the basic functioning of the analyzer, contact Agilent. Refer to [“Contacting Agilent” on page 3](#).

- Although the analyzer functions, its performance relative to its specifications has not been verified.
- It is recommended that a full instrument calibration be performed using the PNA performance test software.
- Refer to the analyzer’s service guide for information on the performance test software.

